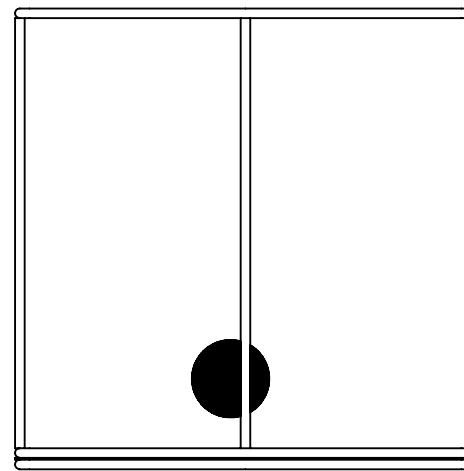
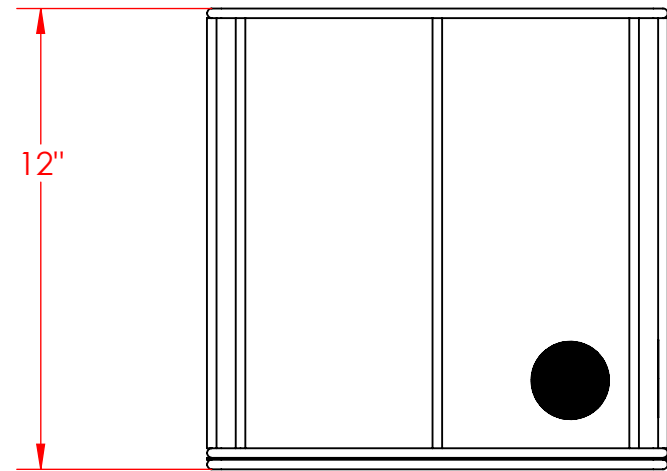
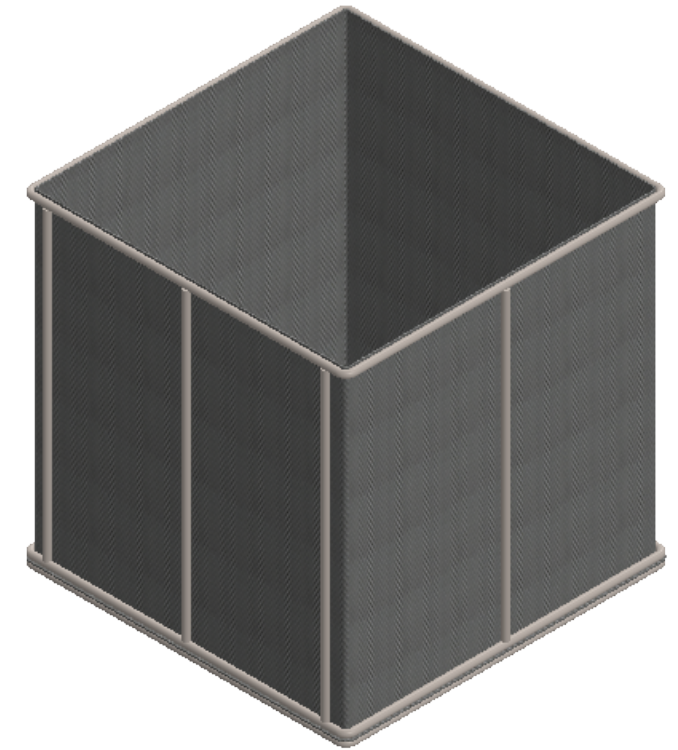
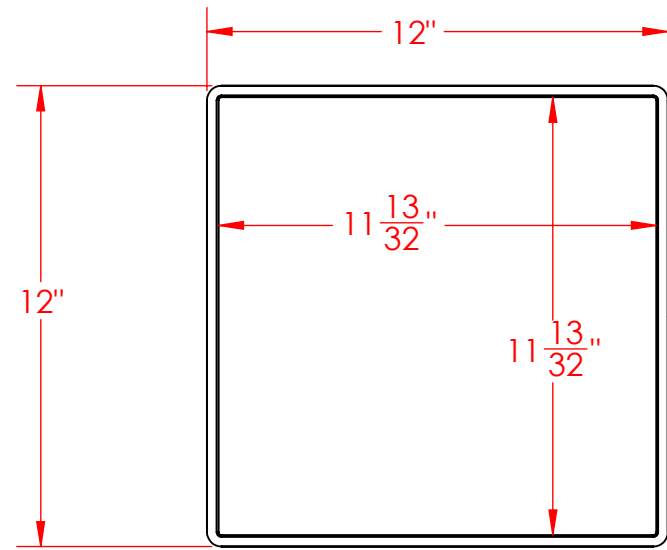
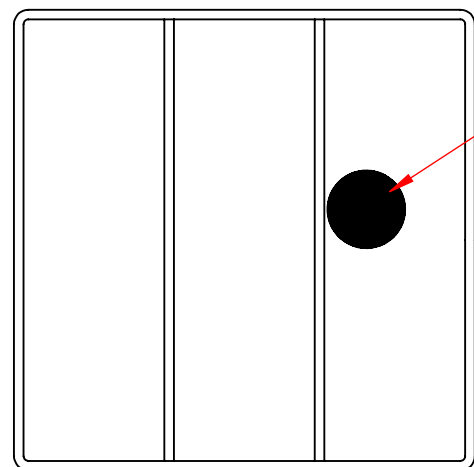


8 7 6 5 4 3 2 1



$\phi \frac{1}{4}$ "
Rod Frame



Lined Bottom and Sides with
30 Mesh x .012" Woven Wire
(.021" Openings, 40% Open Area)

UNLESS OTHERWISE SPECIFIED:
DIMENSIONS ARE IN INCHES
TOLERANCES:
FRACTIONAL $\pm 1/16$ "
ANGULAR: ± 5 DEG.
TWO PLACE DECIMAL ± 0.03
THREE PLACE DECIMAL ± 0.015

Rectangular Wire Mesh Basket:
12Lx12Wx12H, 304 SS, 1/4 Rod
Frame, No Handles, Mesh: 30 x .012

PROPRIETARY AND CONFIDENTIAL
THE INFORMATION CONTAINED IN THIS
DRAWING IS THE SOLE PROPERTY OF
THREE M TOOL. ANY REPRODUCTION IN
PART OR AS A WHOLE WITHOUT THE
WRITTEN PERMISSION OF THREE M TOOL
IS PROHIBITED.

EST WGT
5.0 lbs.
MATERIAL
304 Stainless Steel
FINISH
Natural
DO NOT SCALE DRAWING

SIZE **B** DWG. NO.
TMT-120120120-N30S

SCALE: 1:5

SHEET 1 OF 1

8 7 6 5 4 3 2 1

D
C
B
A

D
C
B
A